

 **hidrotermal**[®]

Sauna Heater &
Steam Generator



2017



www.hidro-termal.com

Sauna heater is the "heart" of all saunas. It is the most important component because it is where heat is generated. Hidrotermal Sauna Heaters are made from stainless steel for durability and with the large stone capacity.

Our heaters provide the most effective and efficient heat exchange and air flow.

Heaters are easy to use and maintain.

Hidrotermal heaters are mounted on the separate rack, which allows you to change the handedness of the heater.

Heaters made of Stainless Steel with built-in control.



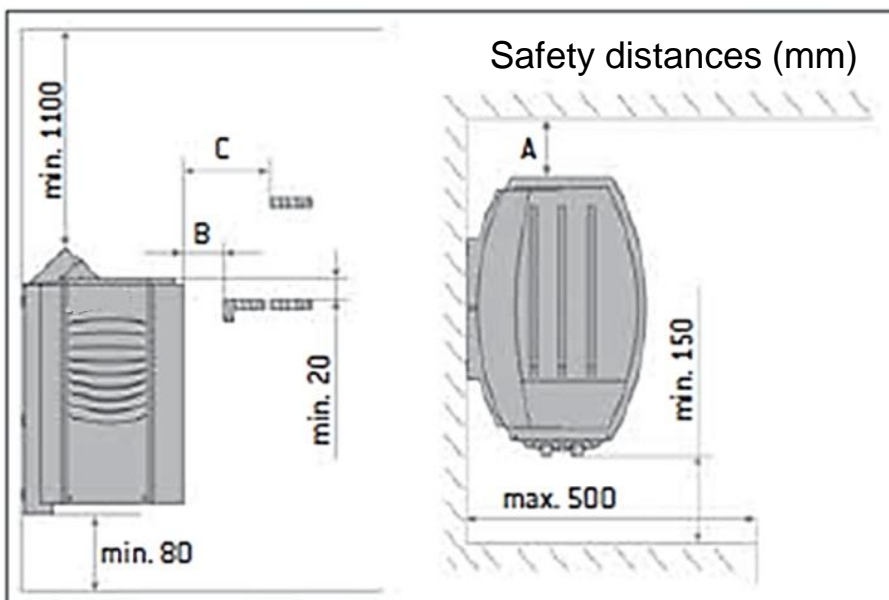
Timer and Thermostat
Switch on
build-in control

Product Not Including Sauna Stone		Sauna Room Size			Min. Distance to Heater (cm)		
		CBM		Height	Min. A for heater to the wall	Min. B for guard bar to low bench	Min. C for guard bar to upper bench
Model	Power	Min	Max	cm			
Hidro-HX45BS	4.5 kw	3	6	110	35	20	35
Hidro-HX60BS	6.0 kw	5	9	110	50	30	50
Hidro-HX80BS	8.0 kw	8	12	110	100	30	80
Hidro-HX90BS	9.0 kw	9	13	110	120	40	100

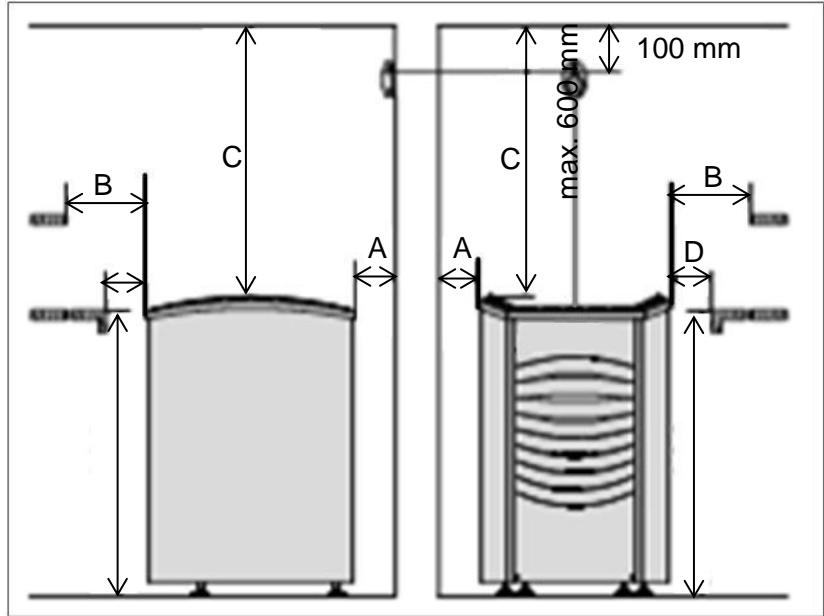
Heaters made of Stainless Steel for external control unit.



Product Not Including Sauna Stone		Sauna Room Size			Min. Distance to Heater (cm)		
		CBM	CBM	Height	Min. A	Min. B	Min. C
Model	Power	Min	Max	cm			
Hidro-HX45B	4.5 kw	3	6	110	35	20	35
Hidro-HX60B	6.0 kw	5	9	110	50	30	50
Hidro-HX80B	8.0 kw	8	12	110	100	30	80
Hidro-HX90B	9.0 kw	9	13	110	120	40	100



Heaters made of Stainless Steel for external control unit & professional usage.



Product Not Including Sauna Stone		Sauna Room Size			Min. Distance to Heater (cm)			
		CBM		Height	Min. A	Min. B	Min. C	Min. D
Model	Power	Min	Max	cm				
Hidro-HX105	10.5 kw	9	15	190	50	150	1250	50
Hidro-HX135	13.5 kw	10	18	210	80	180	1450	50
Hidro-HX165	16.5 kw	14	24	210	100	200	1450	50

External Controls

An outstanding solution for public use saunas. With Hidrotermal external controls you can select the most pleasant atmosphere in the sauna.



LCD Digital Display Control Unit
3-9kW / 9-15kW



Switch Control Unit
3-9kW / 9-15kW



External Control Unit
Max. 17kW

Our steam generator can maintain a perfect level of steam and temperature in the room, while using the least amount of energy to reach a soft and comfortable environment.

Features:

- Power options from 3 to 18kW
- Stainless Steel internal tank
- In-shower thermostatic control
- Long Life heating elements
- Automatic water feed
- Pressure release valve
- External control units are included



Hidro-ST30 to Hidro-ST45



Hidro-ST60B to Hidro-ST90

Model	Power (kw)	Voltage (V)	Current (A)	Room (CBM)	Dimensions (mm)	Gross Weight
Hidro-ST30	3.0	220V	13.6	2.5~5	300x130x230	6 kg
Hidro-ST45	4.5	220V	18.2	5~6	395x135x395	10.5~11
Hidro-ST60	6.0	220V	27.3	6~7		
		380V	9.1			
Hidro-ST60B	6.0	380V	9.1	6~7	445x135x395	15.6~16.2
Hidro-ST80	8.0	380V	36.4	9~10		
Hidro-ST90	9.0	380V	41	10~12		



Digital Control:

1. Temperature Control for °F/ °C
2. Time setting for 0-60 min
3. Temperature Setting range: 30-55°C / 86-131°F
4. Including a 5m long Control Cable



Hidro-ST105 to Hidro-ST180



Hidro-HA40 to Hidro-HA90



Hidro-HA120 to Hidro-HA180

Model	Power (kw)	Voltage (V)	Current (A)	Room (CBM)	Dimensions (mm)	Gross Weight		
Hidro-ST105	10.5	380V	16	12~15	500x200x520	15.6~18 kg		
Hidro-ST120	12.0	380V	18	15~18				
Hidro-ST150	15.0	380V	23	18~21				
Hidro-ST180	18.0	380V	27.3	21~24				
Hidro-HA40	4.0	220V	18.2	5	210x650x430	10~15.6 kg		
		380V	6.8					
Hidro-HA60	6.0	220V	27.3	6				
		380V	10.3					
Hidro-HA80	8.0	220V	36.4	8				
		380V	13.7					
Hidro-HA90	9.0	220V	40.9	9				
		380V	15.4					
Hidro-HA120	12.0	380V	20.5	12			260x650x600	14~16 kg
Hidro-HA150	15.0	380V	25.6	15				
Hidro-HA180	18.0	380V	30.7	18				

This steamer cover is made by AISI304
Installed with 3 pcs heating tubes.

Teflon covered heating tubes for higher durability.

Power options from 4.5 to 18kW
Stainless Steel internal tank
In-shower thermostatic control
Long Life heating elements
Automatic water feed
Pressure release valve
External control units are included
Built in with Auto-draining System



Model	Power (kw)	Voltage (V)	Phase	Current (A)	Wire (N x mm2)	Room (CBM)	Dimensions (mm)
Hidro-SS45	4.5	220V	1	20.5	3*4	4	500x230x400
		220V	3	11.8	4*2.5		
		380V	3	6.8	5*2.5		
Hidro-SS60	6.0	220V	1	27.3	3*6	6	
		220V	3	15.7	4*4		
		380V	3	9.1	5*2.5		
Hidro-SS80	8.0	220V	1	36.4	3*6	9	
		220V	3	21	4*6		
		380V	3	12.2	5*4		
Hidro-SS90	9.0	220V	1	40.9	3*10	11	
		220V	3	23.6	4*10		
		380V	3	13.8	5*4		
Hidro-SS120	12.0	220V	1	54.5	3*10	13	
		220V	3	31.5	4*10		
		380V	3	18.2	5*6		
Hidro-SS150	15.0	220V	1	68.2	3*16	16	
		220V	3	39.4	4*16		
		380V	3	22.8	5*6		
Hidro-SS180	18.0	220V	1	81.8	3*16	20	
		220V	3	47.2	4*16		
		380V	3	37.3	5*6		



Digital Control:

1. Temperature Control for °F/ °C
2. Time setting for 0-60 min
3. Temperature Setting range: 30-55°C / 86-131°F
4. Including a 5m long Control Cable