



Stainless Steel Fountain Ring Light

Hidro-F130H Hidro-F180H
Hidro-F160H Hidro-F200H



USER MANUAL

Please read this operation manual carefully and keep it for future reference.

WARNING

1. Only a licensed or certificated electrician or a qualified serviceman is allowed to install or maintain this product.
2. Must be installed in accordance to the requirements of your government standard or local authorities.
3. Before servicing the light, disconnect the power supply from the circuit breaker. Failure to do so could result in serious injury, death and or damage to the property.
4. Never handle it with wet hands and feet.
5. This light is design for use only when fully submerged in water.
6. Never operate this light for more than 1 minute unless it is totally submerged in water.
7. All lights are required to be disconnected from the main electricity before any operation of maintenance.
8. Maximum depth range for the light installation: 1-10 meter.
9. Maximum water temperature range for the light: -20°C-35°C

1. Product Description

- 1) These LED lights are designed to provide 50,000 hours of powerful illumination.
- 2) Single-color fixtures use 1W High power LEDs to produce natural white or warm white light, and the RGB fixture cycles through 9 color-changing patterns.
- 3) The waterproof LED light has 12V DC/AC operation and is constructed of aluminum with a stainless steel front bezel. Use this LED fixture with fountain tubing up to 1-1/4" in diameter.

2. Specifications

MODEL	High Power LEDs	POWER	Flux (LM)						Central Hole Diameter
			RGB	R	G	B	Pure White	Warm White	
Hidro-F130H	6x1W	6W/12V	R: 100 G: 140 B: 60	300	420	180	600	540	35mm
Hidro-F160H	9x1W	9W/12V	R: 150 G: 210 B: 90	450	630	270	900	810	35mm
Hidro-F180H	12x1W	12W/12V	R: 200 G: 280 B: 120	600	840	360	1200	1080	50mm
Hidro-F200H	18x1W	18W/12V	R: 300 G: 420 B: 180	900	1260	540	1800	1620	60mm

3. Applications

- 1) Inside the central hole you can connect nozzles up to 60mm in diameter.
- 2) Fountain lights.
- 3) Pond lights.
- 4) General accent underwater lights.

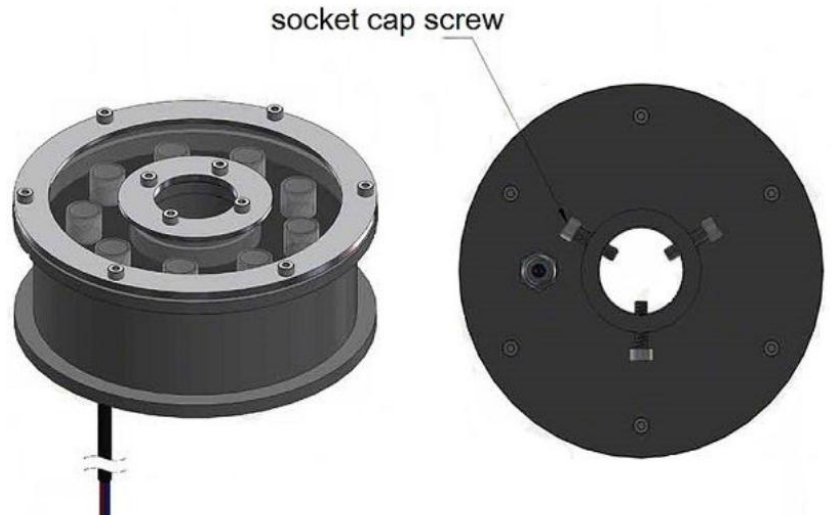


4. Installation for LED Light:

1. Before installing the product make sure to check in the box for damaged or missing parts. Contact us immediately if pieces are missing or damaged.
2. Disconnect power before installing the lights.
3. Place the light in the desired location of your water feature or landscape.
4. Mount to pipe with supplied screws (Fig. 1).
5. Run the cable back to the transformer. Connect leads to transformer.
6. Install transformer on a timer and enjoy.



Fig. 1



Hidro-F130H



Hidro-F160H



Hidro-F180H



Hidro-F200H