

hidrotermal[®]

HT Mini Lights Series



INSTALLATION AND MAINTENANCE MANUAL

Please read this operation manual carefully and keep it for future reference.

1. Technical Parameters

Model	Description	Power Option		Color Option	
Mini-LSS62	Mini Stainless Steel AISI-316 Light	6W	9W	Single	RGB
Mini-LPC62	Mini Plastic Light	3W	5W	Single	RGB
Mini-LPC94	Mini Plastic Light	6W		Single	RGB
Mini-LSS95	Mini Stainless Steel AISI-316 Light	6W		Single	RGB
Mini-LPC95	Mini Plastic Light	6W		Single	RGB
Mini-LSS105	Mini Stainless Steel AISI-304 Light	9W	12W	Single	RGB
Mini-LSS105	Mini Stainless Steel AISI-316 Light	9W	12W	Single	RGB
Mini-LPC125	Mini Plastic Light	9W		Single	RGB
Mini-LSS150	Mini Stainless Steel AISI-316 Light	6W	9W	Single	RGB
Mini-LPC150	Mini Plastic Light	6W	9W	Single	RGB

2. Before Installation

- 1) Please turn off the power before installation to avoid electric shock caused by improper operation. Non-professional and technical personnel are not allowed to repair or modify this product;
- 2) Please pay attention to checking whether the voltage marked on the underwater light is consistent with the input voltage to be connected before installation, so as not to damage the LED underwater light;
- 3) This lamp is designed with waterproof and moisture-proof functions, and its waterproof level can reach IP68. The lamp is able to work in an environment of 100cm deep under the water;
- 4) The working environment temperature for the lamp should be between $-20^{\circ}\text{C} \sim +45^{\circ}\text{C}$ to ensure the service life of the lamp;
- 5) If the lamp is damaged or there is a problem with the insulation of the wire, please do not use it!
- 6) Corrosive or soluble chemicals will destroy the protection of the lamp housing;
- 7) The manufacturer is not responsible for the consequences caused by using the power supply not provided by the manufacturer;
- 8) If the lamps do not work, please put the lamps together in one place, and then send them back to the manufacturer for inspection and repair.



It is forbidden to turn on the underwater light outside the water, otherwise it may shorten its service life and even cause burning of integrated components of LED chips.



In order to connect underwater light, a switching power supply must be used to adapt to the load power.



For user safety, DR circuit breaker must be installed in the system, and the specifications are chosen according to the load power.



3. Installation

3.1 Suggestions of Installation Height for Underwater Light

- 1) The circuit system of the underwater light needs to be equipped with GFCI (Ground Fault Circuit Interrupter) and a suitable rated current circuit breaker;
- 2) The length of the cable connecting the underwater light and the transformer should not exceed 30m, otherwise it may affect the normal operation of the underwater light;
- 3) The underwater light must be installed on a vertical pool wall, and it is prohibited to install it on an irregular wall (concave wall, wall with an arc radius greater than 3m);
- 4) Reserve a spare cable with a length of at least 1500mm at the back of the underwater light for use as a connection line for future replacement and maintenance;
- 5) To achieve synchronization of underwater lights, all underwater lights must be correctly connected to the same switch. (See Figure 1)

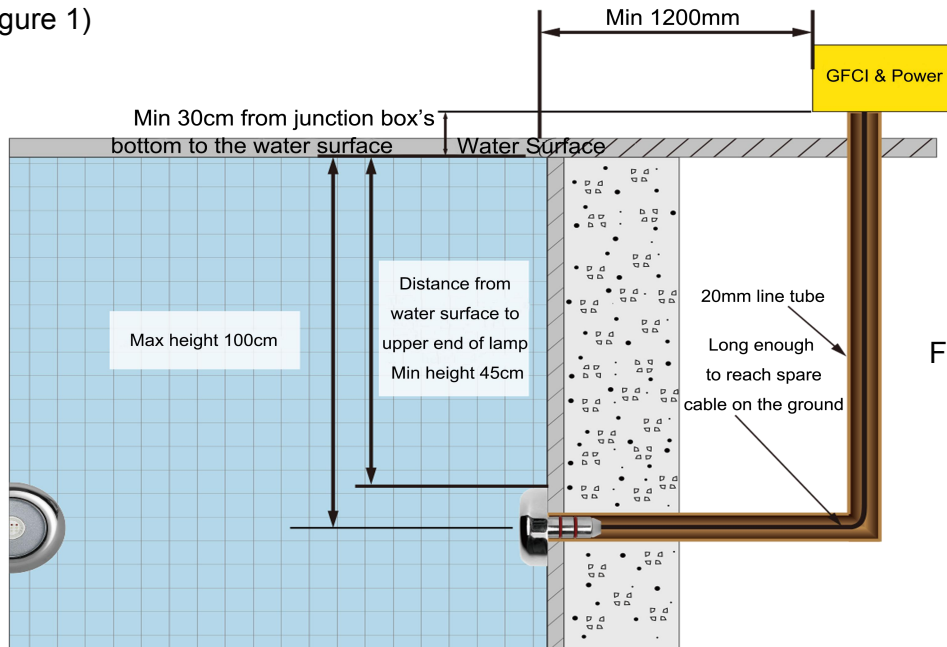


Figure 1

3.2 Instructions for Installation in Concrete Pool (PVC Pipe Ø20mm)

- 1) Before installation, ensure that there is enough space on the wall of the concrete pool (B) so that the underwater light can be directly inserted into the Ø20mm pipe;
- 2) After fixing and sealing it and inserting it, operate it through the ring (A) to push the underwater light and keep it close to the wall of the concrete pool (B).

Key No.	Product Description
A	O-ring for fixing underwater light
B	Concrete Pool Wall

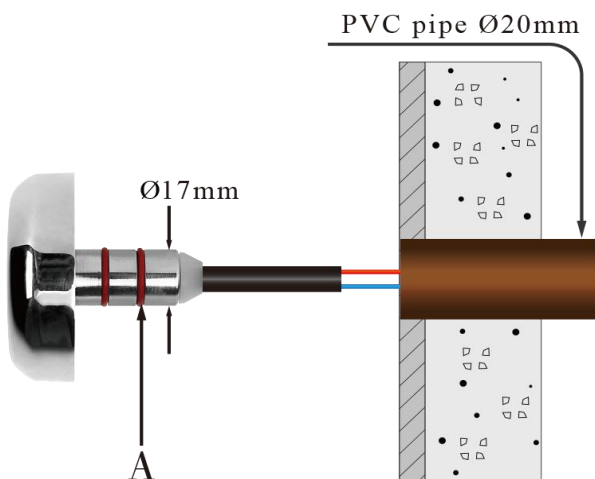


Figure 2

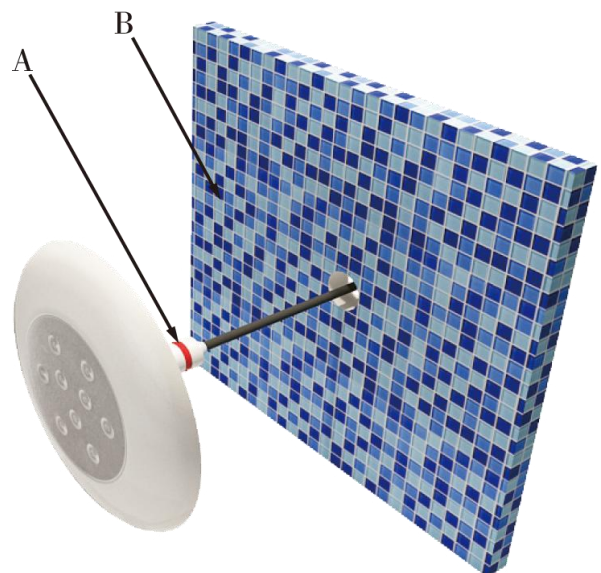


Figure 3

3.3 Instructions for Installation in Concrete Pool (PVC Pipe Ø25mm)

- 1) First, the ring (A) must be inserted into the underwater light, and then the underwater light is inserted into the pipe (B) by pressure to fix it;
- 2) After inserting the casing (B), the ring on the back of the casing (B) will be fixed on the Ø25mm pipe by pressure. In order to obtain the best installation effect, please follow the following sequence to push the underwater light up so that it is flush with the wall of the concrete pool (C).

Key No.	Product Description
A	O-ring for fixing underwater light
B	Casing for 25mm Pipe
C	Concrete Pool Wall

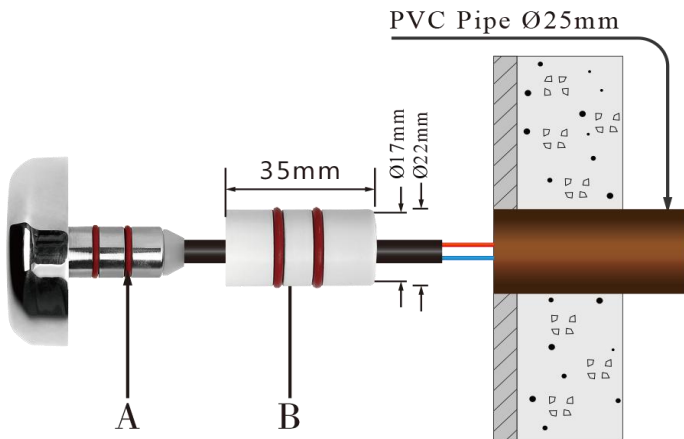


Figure 4

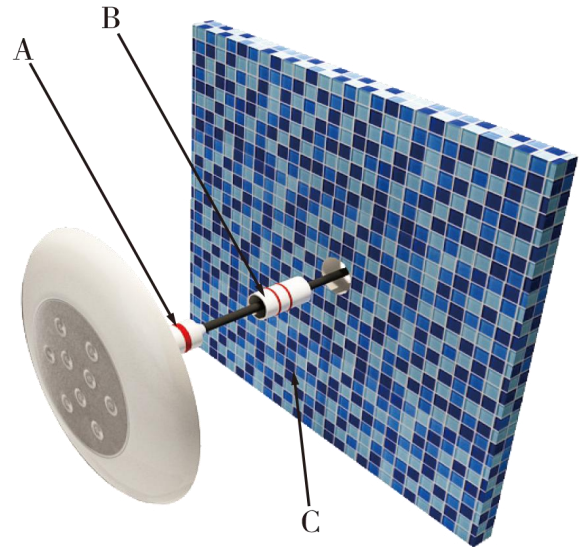


Figure 5

4. Trouble shooting

- 1) Underwater light cannot be lit for more than 10 minutes without being immersed in water;
- 2) When the underwater light is installed in the swimming pool, the swimming pool should be filled with water as soon as possible. The underwater light should not be exposed to the sun for a long time;
- 3) Before installing the underwater light and lighting, please check whether the underwater light is completely immersed in the water and whether the electric box and circuit are working normally;
- 4) This product does not require any maintenance. If it does not work normally, please contact us.

Possible problem	Solution
Lamp Dimming	Check the control box; If controller is connected, please check whether controller is connected. If it is connected, check whether it is turned on.
After power on, the light doesn't light up.	Check the connection position of the cable; Check the fuse on the switchboard; Replace the lamp; Contact a qualified electrician for testing.
After power on, the light can turn on, but it turn off after a few seconds.	Check the control box; Contact a qualified electrician for testing.