



Manual of Filter Valve

HT-FMV01



HT-FMV02



USER MANUAL

NOTE: Stop the pump before changing the valve position!



**Please read and follow this MANUAL before install
and use the filter!**

1. Filter Valve Parameters

Model	Intel/Outlet		Drain		Flow rate(m ³ /H)	Base	Center pipe	Suitable tank
HT-FMV01	1"F	32mm	1"F	32mm	4	2.5"-8NPSM	1.05"OD	6"-12"
HT-FMV02	2"F	63mm	2"F	63mm	10	4" -8UN	1.5" D-GB	10"-24"

Noted:

- 1) F-Female; M-Male; OD-Outer diameter; D-GB-Chinese standard.
- 2) The capacity of treated water is relate to the designed flow rate, inlet pressure and filter materials, the above chart for reference only.

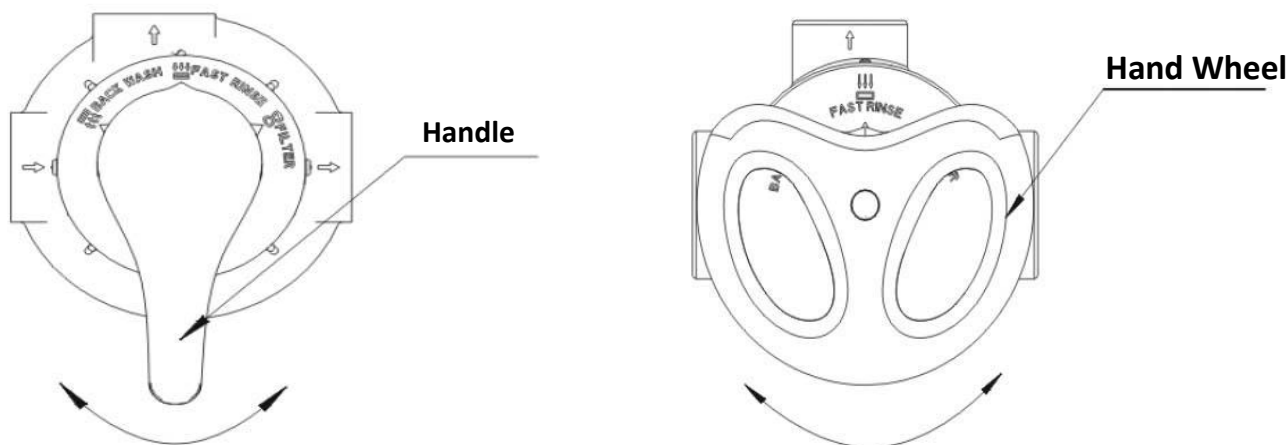
Warning:

The filter is operating under high pressure. Air can enter the system and become pressurized when any part of the circulating system (e.g filters, valve, etc.) is serviced. Hence, release the pressure before removing the valve. Failure to do so may result in severe injury, death or property damage. Turn pump of tap off before changing valve position. Do not remove valve when there is incoming water flow.

2. Valve operating instructions

2.1.Hand Wheel

This series of control valve is operated by hand wheel to realize service, backwash and fast rinse. As the following pictures show:(The appearance for reference only.)



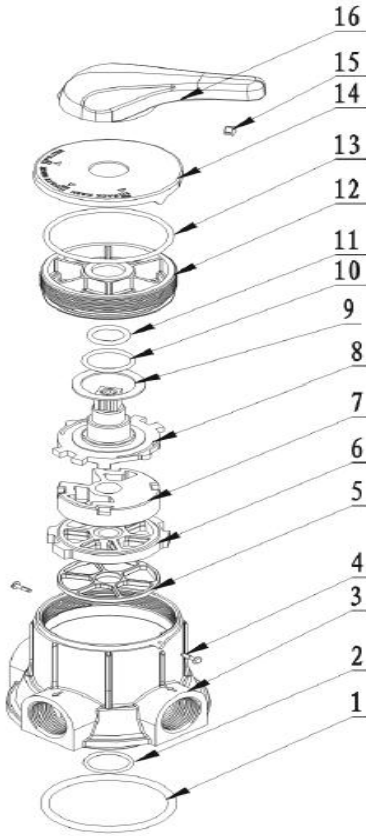
Note: The handle can not be rotated beyond the limit position, please do not flip it up and down.

2.2. Manual Filter Valve Operation

Valve Position	Figure	Function
FILTER		In service (filtration) status, normal filtration
FAST RINSE		In Fast rinse status, flush out dirt after backwashing
BACK WASH		In backwash status, cleans the filter media by reversing the flow

3. Valve Body Components

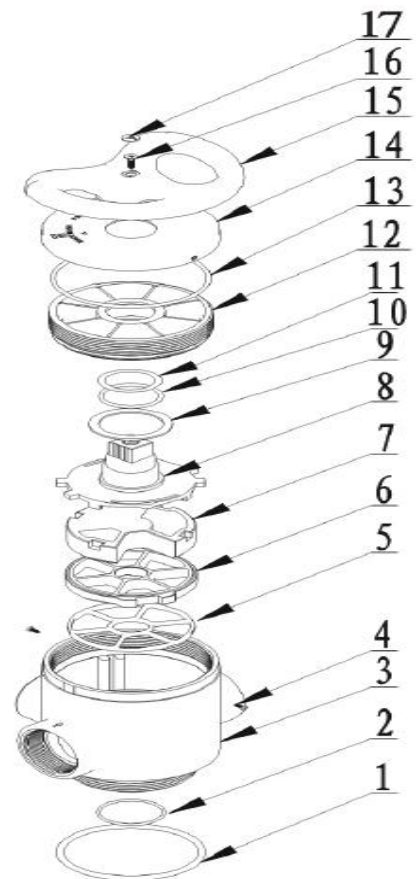
3.1 Valve Replacement Parts-HT-FMV01



Key No.	Product Description	Qty
1	O-ring	1
2	O-ring	1
3	Valve Body (ABS + GF10)	1
	Valve Body (PPO + GF20)	1
4	Plastic Pin	2
5	Seal Ring	1
6	Fixed Disk	1
7	Moving Disk	1
8	Shaft	1
9	Anti-friction Washer	1
10	O-ring	1
11	O-ring	1
12	Fitting Nut	1
13	O-ring	1
14	Decorative Cover	1
15	Decorative Button	1
16	Handle (Metal)	1
	Handle (Plastic)	

3.2 Valve Replacement Parts-HT-FMV02

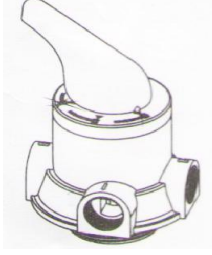
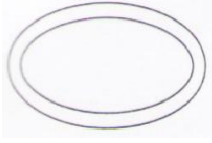
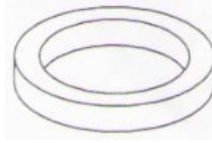
Item No.	Product Description	Qty
1	O-ring	1
2	O-ring	1
3	Valve Body	1
4	Screw, Cross	2
5	Seal Ring	1
6	Fixed Disk	1
7	Moving Disk	1
8	Shaft	1
9	Anti-friction Washer	1
10	O-ring	1
11	O-ring	1
12	Fitting Nut	1
13	O-ring	1
14	Decorative Cover	1
15	Handle	1
16	Screw, Cross	1
17	Brand	1




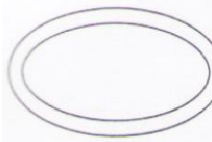
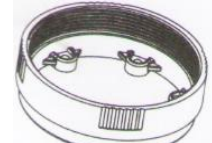

4. Manual Filter Valve Packing list

When open the valve box, please check the following parts.

1) HT-FMV01 Valve

Description	Picture	Quantity	Remark
Control Valve		1PC	This picture is for reference only
User Manual		1PC	
Spare parts Kit include following parts			
Base Seal Ring(73*5.3)		1PC	
1" Washer ($\phi 30 \times \phi 24 \times 3.3$)		3PCS	

2) HT-FMV02 Valve

Description	Picture	Quantity	Remark
Control Valve		1PC	This picture is for reference only
User Manual		1PC	
Spare parts Kit include following parts			
Base Seal Ring (104.6*5.7)		1PC	
Threaded Top Strainer Connector		3PCS	
Tapping Screw ST3.9*19		5PCS	